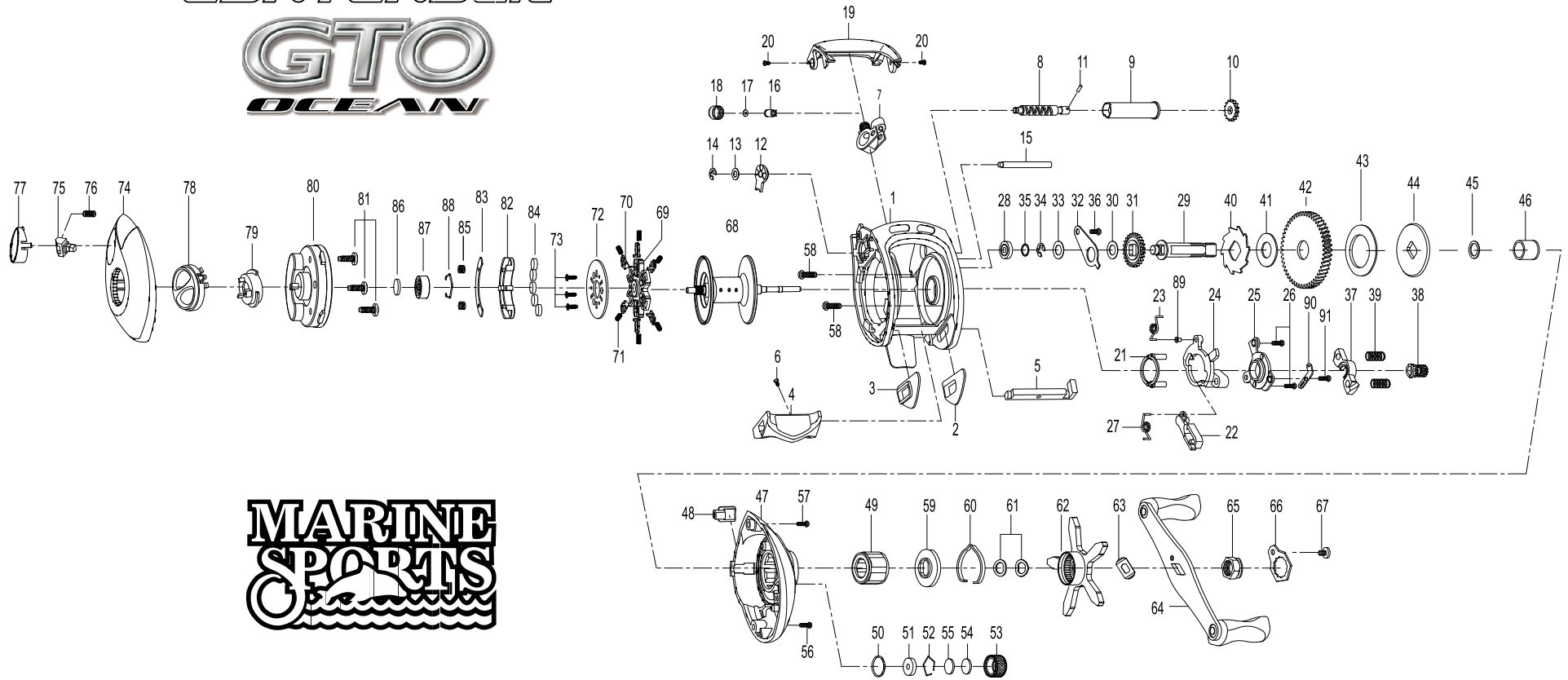


CONTENDER GTO OCEAN



THE ORDER OF THE PART NUMBER IS BASED ON THAT OF THE REEL ASSEMBLY

NO	PART NAME	NO	PART NAME	NO	PART NAME	NO	PART NAME	NO	PART NAME	NO	PART NAME
1	FRAME	17	SPACER(OPTIONAL)	33	IDLER(L) WASHER (B)	49	ONE WAY CLUTCH	65	HANDLE NUT	81	SPOOL COVER-SCREW(*3)
2	CLUTCH BAR PLATE-A	18	PAWL CAP	34	E-RING	50	O-RING	66	HANDLE RETAINER	82	MAGNET HOLDER
3	CLUTCH BAR PLATE-B	19	FRONT COVER	35	CRANK SHAFT SPACER(OPTIONAL)	51	BUSHING	67	HANDLE RETAINER SCREW	83	MAGNET HOLDER PLATE
4	CLUTCH BAR ASSEMBLY	20	FRONT COVER SCREW	36	BEARING PLATE SCREW	52	BEARING RETAINER	68	SPOOL ASSEMBY(INCL. 1 BALL BEARING)	84	MAGNET(*5)
5	CLUTCH LINK	21	YORK HOLDER	37	PINION YOKE	53	CAST CONTROL CAP	69	BRAKE SHOE HOLDER	85	MAGNET HOLDER SPRING(*2)
6	CLUTCH BAR SCREW	22	RETURN PAWL	38	PINION GEAR	54	TENSION WASHER	70	BRAKE SHOE(WHITE)(*6)	86	SPOOL SPACER(A)
7	LINE GUIDE ASSEMBLY	23	CLUTCH SPRING	39	PINION YOKE SPRING(*2)	55	SPOOL SPACER (B)	71	BRAKE SHOE SPRING(*6)	87	BALL BEARING
8	WORM SHAFT	24	CLUTCH CAM	40	RATCHET	56	RIGHT SIDE COVER SCREW-A	72	BRAKE HOLDER PLATE	88	BEARING RETAINER
9	LINE GUIDE PIPE	25	CAM PLATE	41	RATCHET WASHER	57	RIGHT SIDE COVER SCREW-A	73	BRAKE HOLDER PLATE SCREW(*3)	89	CLUTCH SPRING BUSHING
10	IDLER(S)	26	CLUTCH CAM SCREW(A)*2	42	DRIVE GEAR	58	RIGHT SIDE COVER SCREW-B	74	LEFT SIDE COVER	90	CLUTCH SPRING HOLDER
11	WORM SHAFT PIN	27	RETURN PAWL SPRING	43	DRAG WASHER (B)	59	DRAG WASHER (D)	75	LOCKING PIN	91	CLUTCH CAM SCREW(B)
12	WORM SHAFT BUSHING (B)	28	BALL BEARING	44	DRAG WASHER (D)	60	CLICK LEAF SPRING	76	LOCKING PIN SPRING		
13	WORM SHAFT WASHER	29	CRANK SHAFT	45	SLEEVY WASHER(T=1.0)	61	DRAG SPRING WASHER(*2)	77	PUSH BUTTON ASSEMBLY		
14	E-RING	30	IDLER(L) WASHER (A)	46	SLEVE	62	STAR DRAG ASSEMBLY	78	CONTROL DIAL ASSEMBLY		
15	PILLAR	31	IDLER(L)	47	RIGHT SIDE COVER	63	LEAF SPRING	79	SLIDE CAM		
16	LINE GUIDE PAWL	32	BEARING PLATE	48	SPACER	64	HANDLE ASSEMBLY (INCL. 2 BALL BEARING)	80	SPOOL COVER		