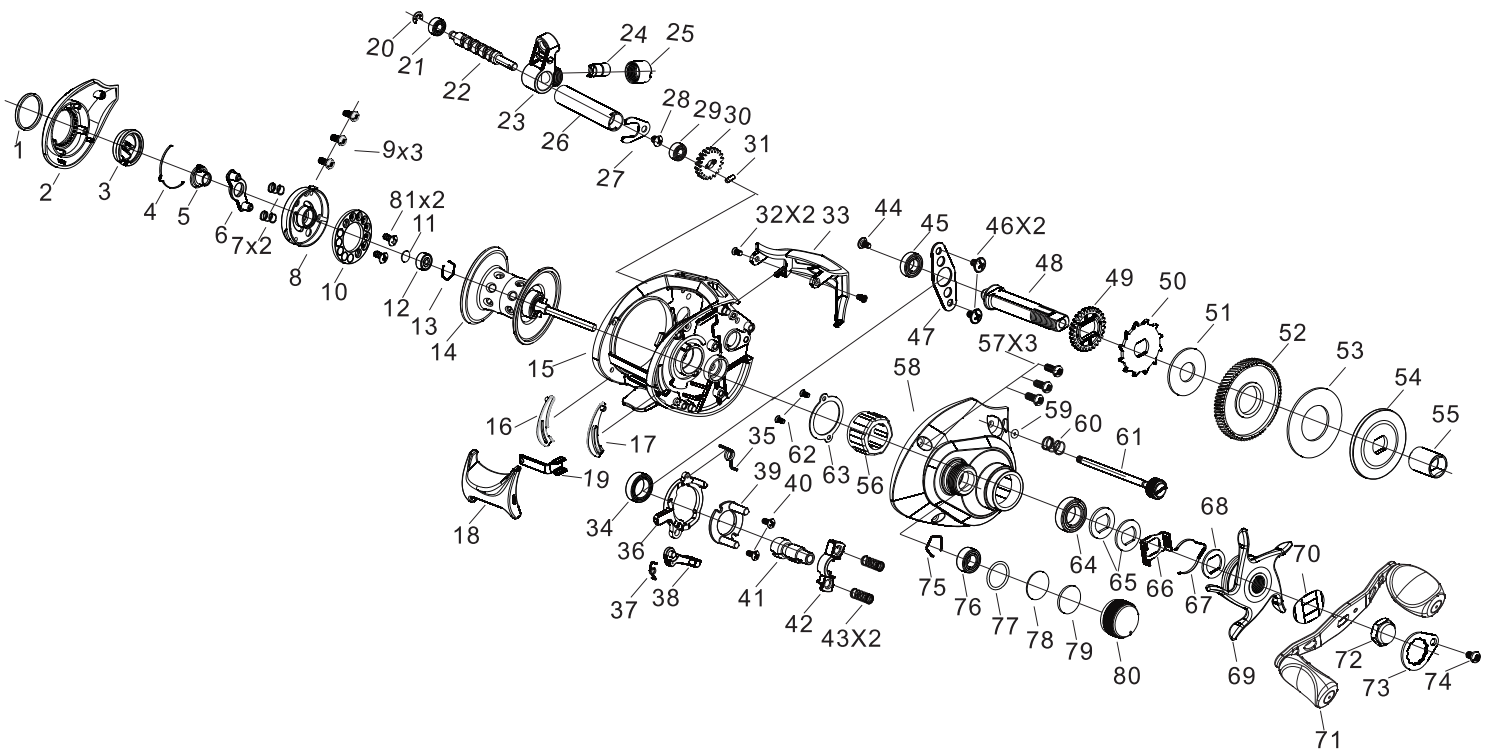


MS7 SHI



KEY NO. PART NAMES

1	DRAG KNOB RING
2	LEFT SIDE PLATE ASSY.
3	DRAG KNOB ASSY.
4	CLICKER RING
5	CAM
6	CAM
7	SPRING
8	BRAKE PLATE
9	SCREW
10	MAGNET PLATE ASSY.
11	WASHER
12	BALL BEARING
13	HEXAGON CLIP
14	SPOOL ASSY.(INCLUDE ONE BALL BEARING)
15	BODY ASSY.
16	BUTTON SIDE PIECE
17	BUTTON SIDE PIECE
18	BUTTON
19	CONNECTING STRIP
20	E-CLIP
21	BUSHING
22	WORM SHAFT
23	LINE GUIDE HOLDER
24	LINE GUIDE PAWL
25	LINE GUIDE HOLDER SCREW
26	LEVEL WIND GUARD
27	RETAINING PLATE
28	SCREW
29	BUSHING
30	WORM SHAFT GEAR
31	PIN
32	SCREW
33	ORNAMENT
34	BALL BEARING
35	SPRING
36	CLUTCH RING
37	CLUTCH SPRING
38	CLUTCH PAWL
39	CLUTCH REST
40	SCREW

KEY NO. PART NAMES

41	PINION GEAR
42	CLUTCH PLATE
43	SPRING
44	SCREW
45	BALL BEARING
46	SCREW
47	PRESSURE PLATE
48	GEAR SHAFT
49	GEAR
50	GEAR
51	WASHER
52	MAIN GEAR
53	DRAG WASHER
54	KEY WASHER
55	BUSHING
56	ONE WAY CLUTCH
57	SCREW
58	RIGHT SIDE PLATE
59	O-RING
60	SPRING
61	LOCK SCREW ASSY.
62	SCREW
63	EAR WASHER
64	BALL BEARING
65	WASHER
66	CLICKER RETAINER
67	CLICKER RING
68	WASHER
69	STAR DRAG
70	SPRING WASHER
71	HANDLE ASSY.
72	HANDLE SCREW CAP
73	LOCKING PLATE
74	SCREW
75	HEXAGON CLIP
76	BALL BEARING
77	O-RING
78	WASHER
79	WASHER
80	DRAG NUT
81	SCREW